

# **SINGER**

9417

# LIST OF PARTS

*Sewing Machine Model*

9417

by **SINGER**\*



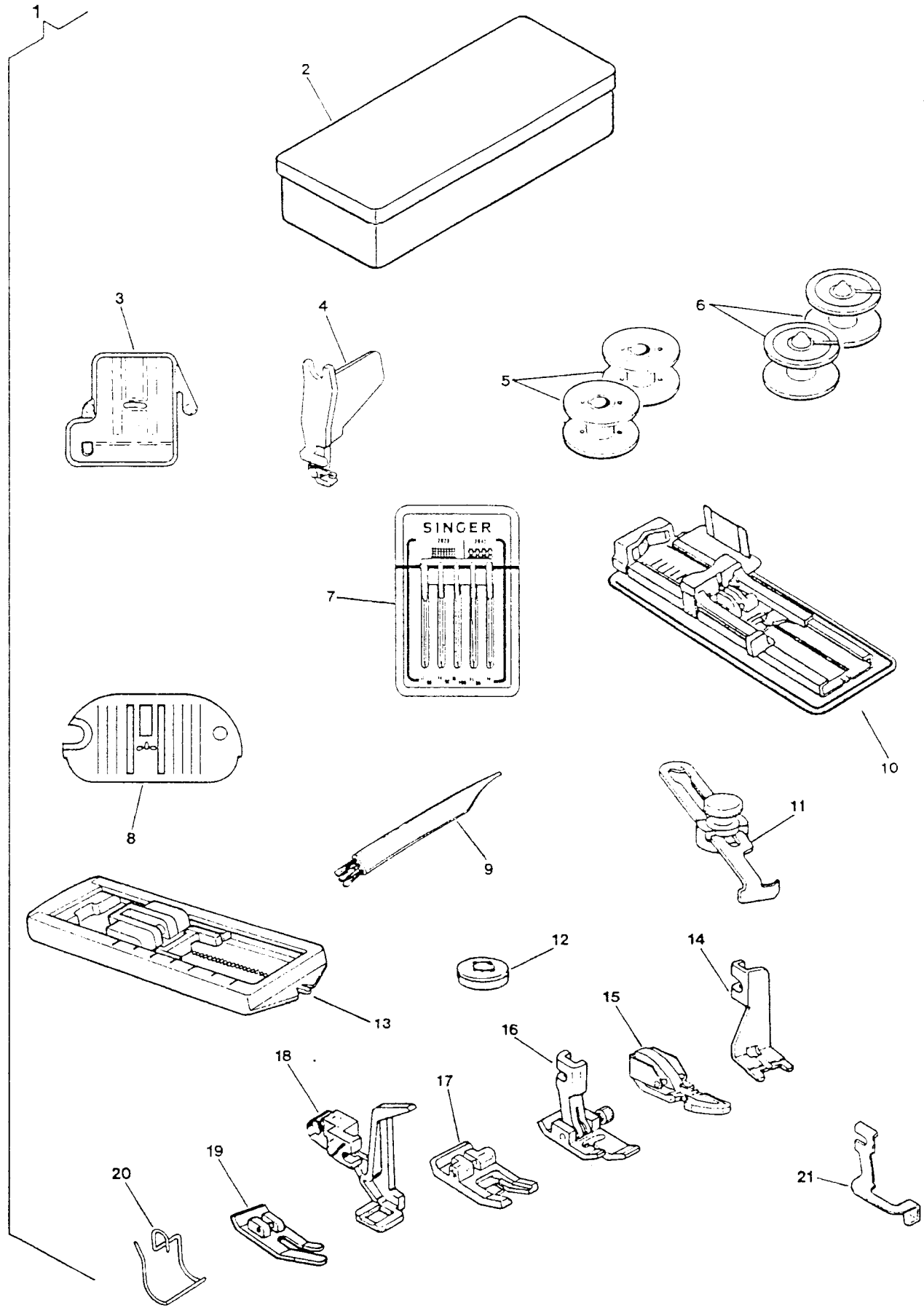
A Publication of Product Support  
International Group Engineering

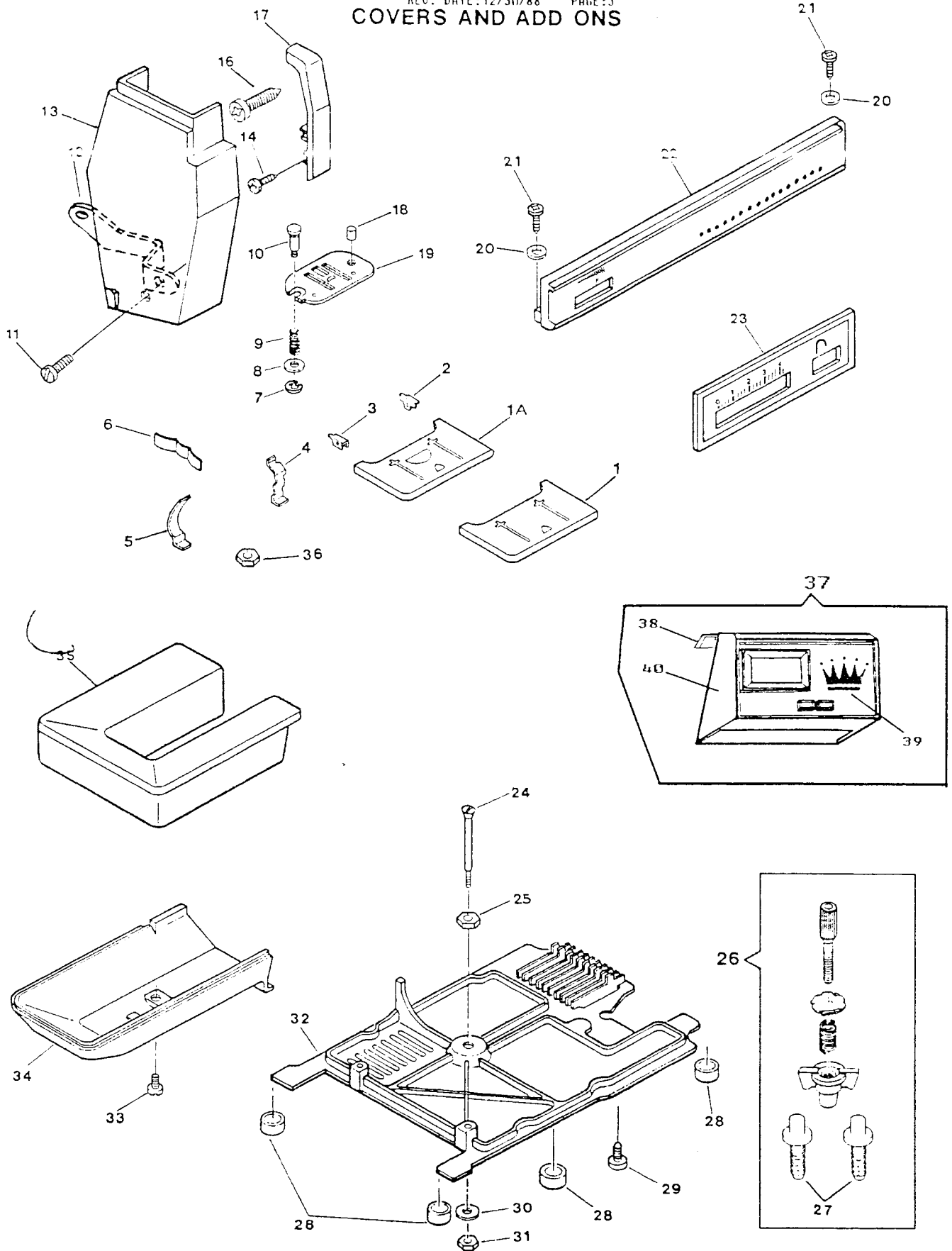
Printed in Taiwan

ATTACHMENT SET  
MODEL:9417

REF. PART NO. NO.	DESCRIPTION
1 313032	ATTACHMENT COMPLETE
3 313117	FEED COVER PLATE
4 503277	NEEDLE THREADER COMPLETE
6 312956	BOBBIN
7 353364	NEEDLE PACK (ALT: 384064)
8 313066	THROAT PLATE FOR STRAIGHT SEWING
9 546358	LINT BRUSH
10 313093-451	BUTTONHOLE (ONE-STEP) COMPLETE (ALT:NT-1321)
11 161172	SEAM & BLINDSTITCH HEM GUIDE COMPLETE
12 507664-459	ARM SPOOL PIN THREAD LEAD OFF (SMALL, PLASTIC)
14 381066	PRESSER FOOT PLATE FOR BUTTON SEWING
15 171480	PRESSER FOOT PLATE (SNAP-ON) FOR CORDING & SLIDE FASTENERS COMPL.
16 381491	BLIND HEM PRESSER HOOT ASSEMBLY
17 171463	SPECIAL PURPOSE PRESSER FOOT PLATE (SNAP-ON)
18 384037	DARNING & EMBROIDERY FOOT COMPLETE (PLASTIC)
19 353628	PRESSER FOOT PLATE (SNAP-ON) FOR STRAIGHT SEWING
19 161919	PRESSER FOOT PLATE (SNAP-ON) FOR STRAIGHT SEWING (ALTERNATE)
20 421588	FINGER GUARD ATTACHED TO PRESSER BAR FOR ITALY AND U.S. SCHOOL MACHINES. IN ACCESSORY BOX FOR FRANC

# ATTACHMENT SET

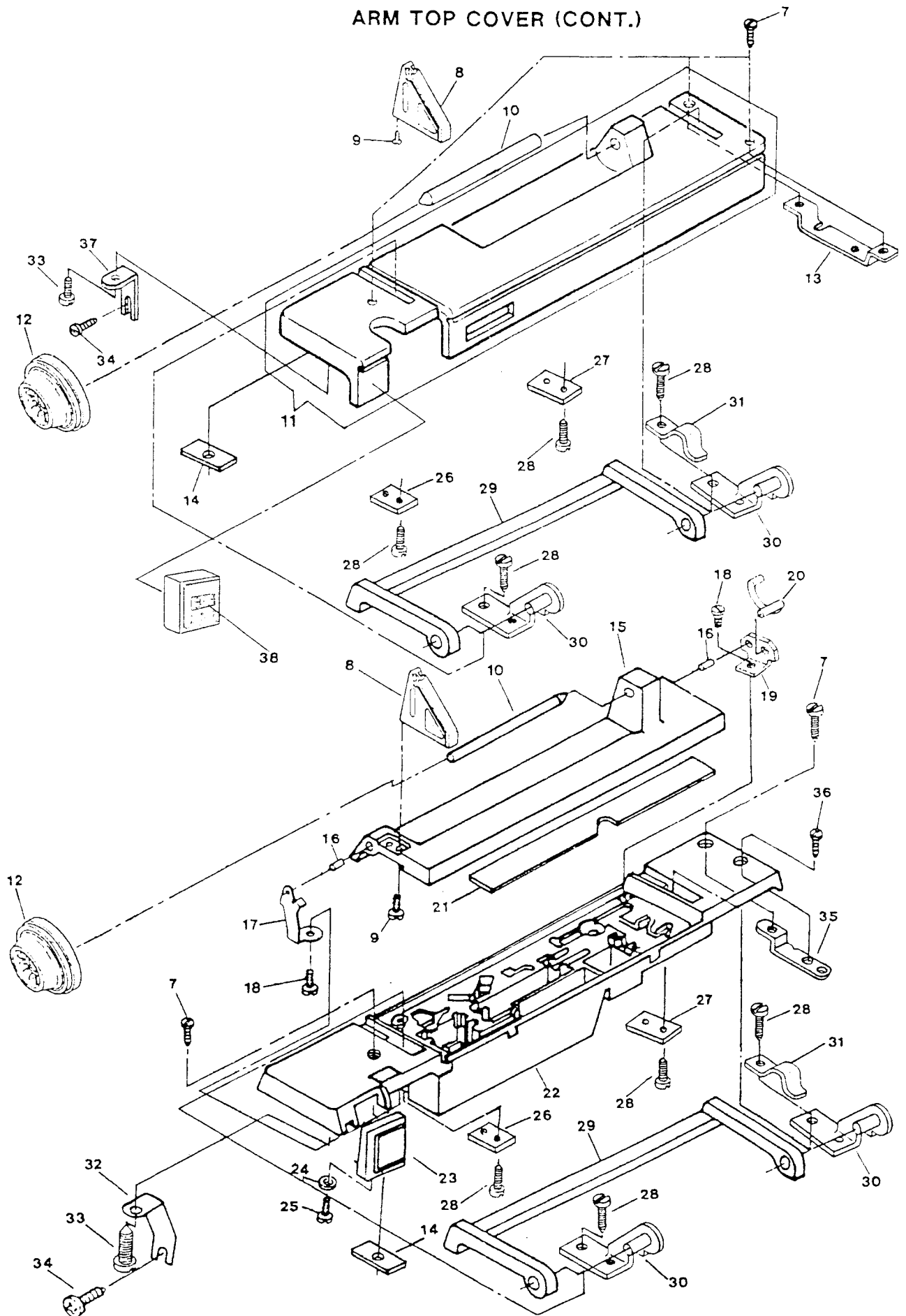




COVERS AND ADD ONS  
MODEL:9417

REF. PART NO. NO.	DESCRIPTION
1A 314109	BED SLIDE ASSEMBLY COMPL. ALT:313166
2 312779	BED SLIDE SPRING (RIGHT)
3 313108	BED SLIDE SPRING (LEFT)
6 313118	CLOTH PLATE SPRING
7 313098	THROAT PLATE PLUNGER RETAINING RING
8 549426-451	THROAT PLATE PLUNGER WASEHR
9 312805	THROAT PLATE PLUNGER SPRING
10 312804	THROAT PLATE PLUNGER
11 113521-451	FACE PLATE MOUNTING SCREW
12 314263	FACE PLATE MOUNTING BRACKET
13 314259-451	FACE PLATE COMPLETE
14 113470-003	THREAD TAKE-UP COVER MOUNTING SCREW
16 113455-004	THREAD TAKE-UP COVER MOUNTING SCREW
17 314718-451	THREAD TAKE-UP COVER
18 353624	THROAT PLATE LOCATING PIN
19 312777	THROAT PLATE FOR ZIG ZAG SEWING
20 502495-451	CONTROL PANEL SCREW WASHER
21 113455-001	CONTROL PANEL SCREW
22 317240	CONTROL PANEL WITH GRAPHICS ASSEMBLY (USA/CANADA)
23 317242	STITCH LENGTH CONTROL PANEL ASSEMBLY (USA/CANADA)
24 313052-451	BOTTOM COVER MOUNTING BOLT
25 313173-451	BOTTOM COVER MOUNTING BOLT MOUNTING NUT
26 313180	MACHINE HOLD DOWN MOUNTING KIT
27 148869	MACHINE LOCATOR PIN
28 313909-451	BED LEG CUSHION
29 113455-002	BED COVER PLATE (BOTTOM) SCREW
30 314712-451	BOTTOM COVER MOUNTING BOLT WASHER
31 313177-452	BOTTOM COVER MOUNTING BOLT MOUNTING NUT
32 312774-001	BED COVER PLATE (BOTTOM)
33 354633-452	BED COVER (TUBULAR) SCREW
34 312773-451	BED COVER TUBULAR
35 313882-451	CLOTH PLATE ASSEMBLY
36 313049	BED INSERT NUT

# ARM TOP COVER (CONT.)



ARM TOP COVER (CONT.)  
MODEL: 9417

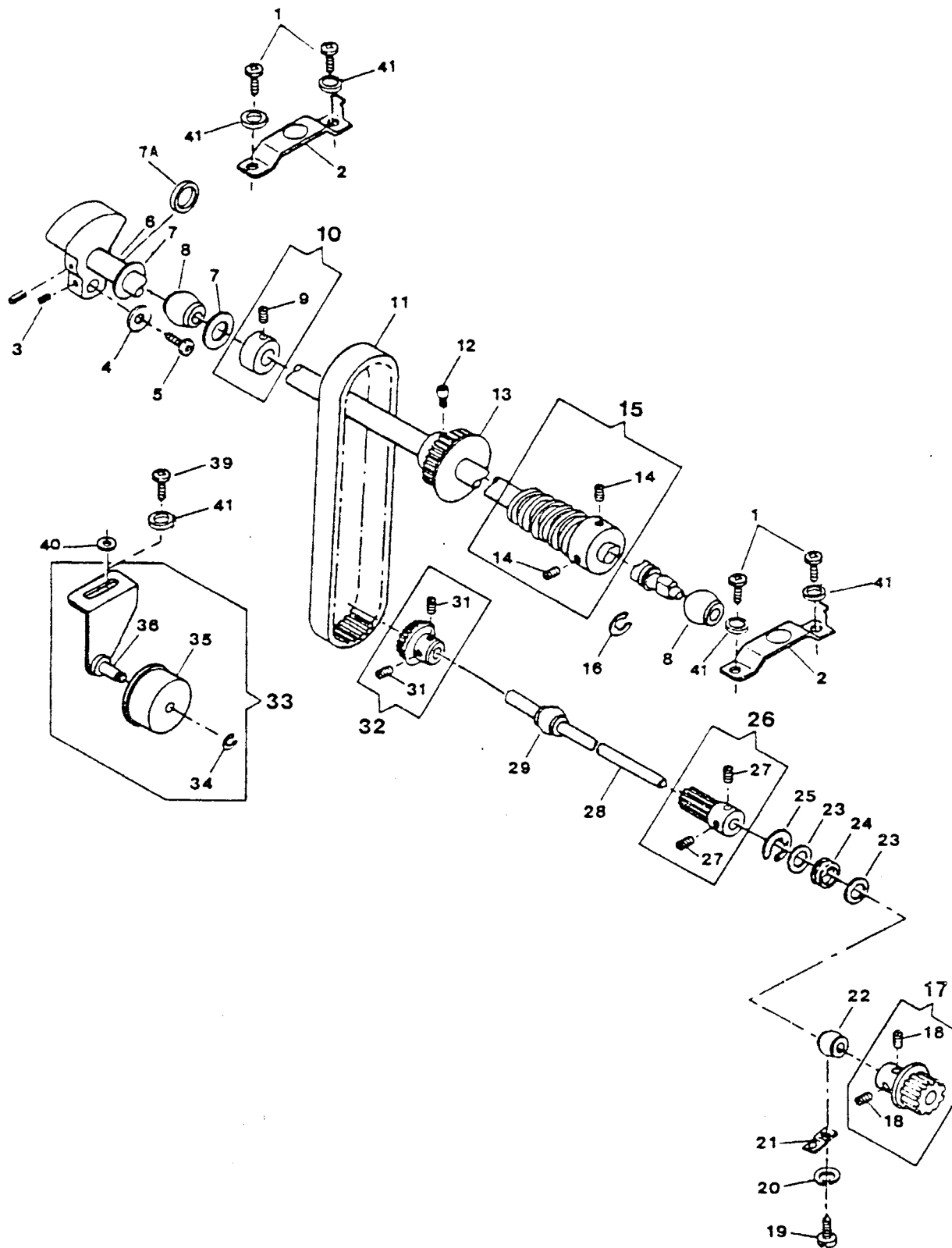
REF. NO.	PART NO.	DESCRIPTION
7	354927-001	ARM TOP COVER MOUNTING SCREW (2)
8	313563-451	ARM TOP COVER THREAD GUIDE ASSEMBLY
9	113501-451	ARM TOP COVER THREAD GUIDE SCREW
10	312940-451	SPOOL PIN (HORIZONTAL)
12	179967-451	SPOOL PIN THREAD LEAD-OFF
14	312892	ARM TOP COVER MOUNTING PLATE (LEFT)
15	314380-902	ARM TOP COVER LID
16	314478	ARM TOP COVER LID HINGE PIN
17	314618	ARM TOP COVER LID HINGE (LEFT)
18	113445-006	ARM TOP COVER LID HINGE SCREW (2)
19	313213	ARM TOP COVER LID HINGE (RIGHT)
20	313435	ARM TOP COVER LID SPRING
22	314379-900	ARM TOP COVER MOLDED
23	314390-022	CONTROL PANEL EXTENSION ASSEMBLY (USA/CANADA)
24	502495-451	CONTROL PANEL EXTENSION WASHER
25	113455-003	CONTROL PANEL EXTENSION SCREW
26	314561	ARM TOP COVER MACHINE HANDLE HINGE BRACKET NUT PLATE (LEFT)
27	314560	ARM TOP COVER MACHINE HANDLE HINGE BRACKET NUT PLATE (RIGHT)
28	113520-451	ARM TOP COVER MACHINE HANDLE HINGE BRACKET SCREW (RIGHT & LEFT)
29	314384-451	ARM TOP COVER MACHINE HANDLE
30	314386	ARM TOP COVER MACHINE HANDLE HINGE BRACKET COMPLETE (2)
31	314485	ARM TOP COVER MACHINE HANDLE RETAINING SPRING
32	314391	ARM TOP COVER SUPPORT BRACKET (LEFT)
33	113442-002	ARM TOP COVER SUPPORT BRACKET (LEFT) MOUNTING SCREW
34	113516-451	ARM TOP COVER SUPPORT BRACKET (RIGHT) SCREW
35	314387	ARM TOP COVER MOUNTING PLATE (RIGHT)
36	354954-451	ARM TOP COVER MOUNTING SCREW (RIGHT FRONT)



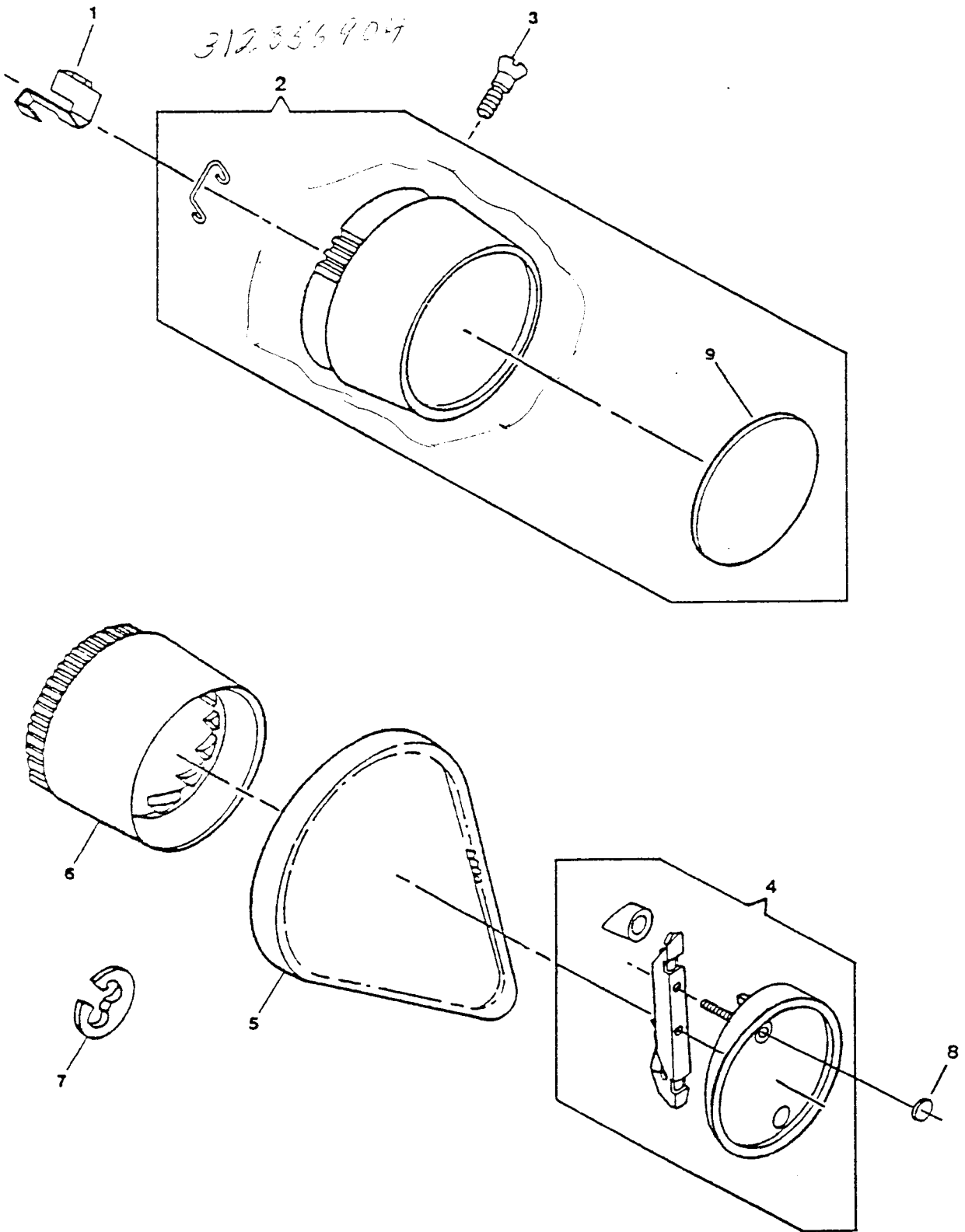
ARM SHAFT DRIVE SYSTEM  
MODEL:9417

REF. NO.	PART NO.	DESCRIPTION
1	113455-001	ARM SHAFT (HORIZONTAL) BUSHING (LEFT & RIGHT) CLAMP SCREW
2	312796	ARM SHAFT (HORIZONTAL) BUSHING (LEFT & RIGHT) CLAMP ASSEMBLY
3	113488-451	THREAD TAKE-UP STUD SET SCREW
6	313998	ARM SHAFT (HORIZONTAL) ASSEMBLY
6	313999	ARM SHAFT HORIZONTAL ASSEMBLY (ALTERNATE TO 313998)
7	312620-001	ARM SHAFT (HORIZONTAL) RETAINING COLLAR THRUST WASHER (PLASTIC)
7A	312620-002	ARM SHAFT THRUST WASHER
8	312795	ARM SHAFT (HORIZONTAL) BUSHING (LEFT & RIGHT)
9	544208-001	ARM SHAFT (HORIZONTAL) RETAINING COLLAR SET SCREW
10	312619	ARM SHAFT (HORIZONTAL) RETAINING COLLAR ASSEMBLY
11	603975-011	BELT (ROTATING HOOK DRIVE ) ALT:603975-012
12	544212-003	ARM SHAFT (HORIZONTAL) BELT DRIVE PULLEY SCREW
13	314074-901	ARM SHAFT (HORIZONTAL) BELT DRIVE PULLEY (PLASTIC)
14	354591-451	DISC STACK DRIVING WORM GEAR SET SCREW
15	312623	DISC STACK DRIVING WORM GEAR ASSEMBLY
17	314131	ROTATING HOOK DRIVE SHAFT BELT PULLEY ASSEMBLY
18	544098	ROTATING HOOK DRIVE SHAFT BELT PULLEY SET SCREW
19	113445-001	ROTATING HOOK DRIVE SHAFT BUSHING (SELF-ALIGNING) CLAMP SCREW
20	314013-451	ROTATING H. D. SHAFT BUSHING (SELF-ALIGNING) CLAMP SCREW LOCK WASHER
21	313816	ROTATING HOOK DRIVE SHAFT BUSHING (SELF-ALIGNING) CLAMP
22	312700-001	ROTATING HOOK DRIVE SHAFT BUSHING (RIGHT ) (SELF-ALIGNING)
23	444900-452	ROTATING HOOK DRIVE SHAFT SPRING WASHER
25	312685	ROTATING HOOK DRIVE SHAFT BEARING RETAINING RING
26	313920	FEED DRIVE SHAFT DRIVING GEAR ASSEMBLY
27	113466-451	FEED DRIVE SHAFT GEAR SET SCREW
28	313936	ROTATING HOOK DRIVE SHAFT
29	312700-002	ROTATING HOOK DRIVE SHAFT BUSHING (LEFT) (SELF-ALIGNING)
31	544208-005	ROTATING HOOK DRIVE SHAFT BEVEL GEAR SET SCREW
32	314011	ROTATING HOOK DRIVE SHAFT BEVEL GEAR ASSEMBLY ALT:314054-900
33	313195	IDLER BRACKET ASSEMBLY
34	313157	BELT IDLER PULLEY RETAINING RING
35	382255	BELT IDLER PULLEY
36	313001	IDLER BRACKET ASSEMBLY
39	113455-002	ROTATING HOOK DRIVING BELT TENSION ADJUSTER SCREW
40	314041-451	ROTATING HOOK DRIVING BELT TENSION ADJUSTER SCREW WASHER
41	314013-451	ARM SHAFT BUSHING (LAMP SCREW WASHER)

# ARM SHAFT DRIVE SYSTEM



# HAND WHEEL



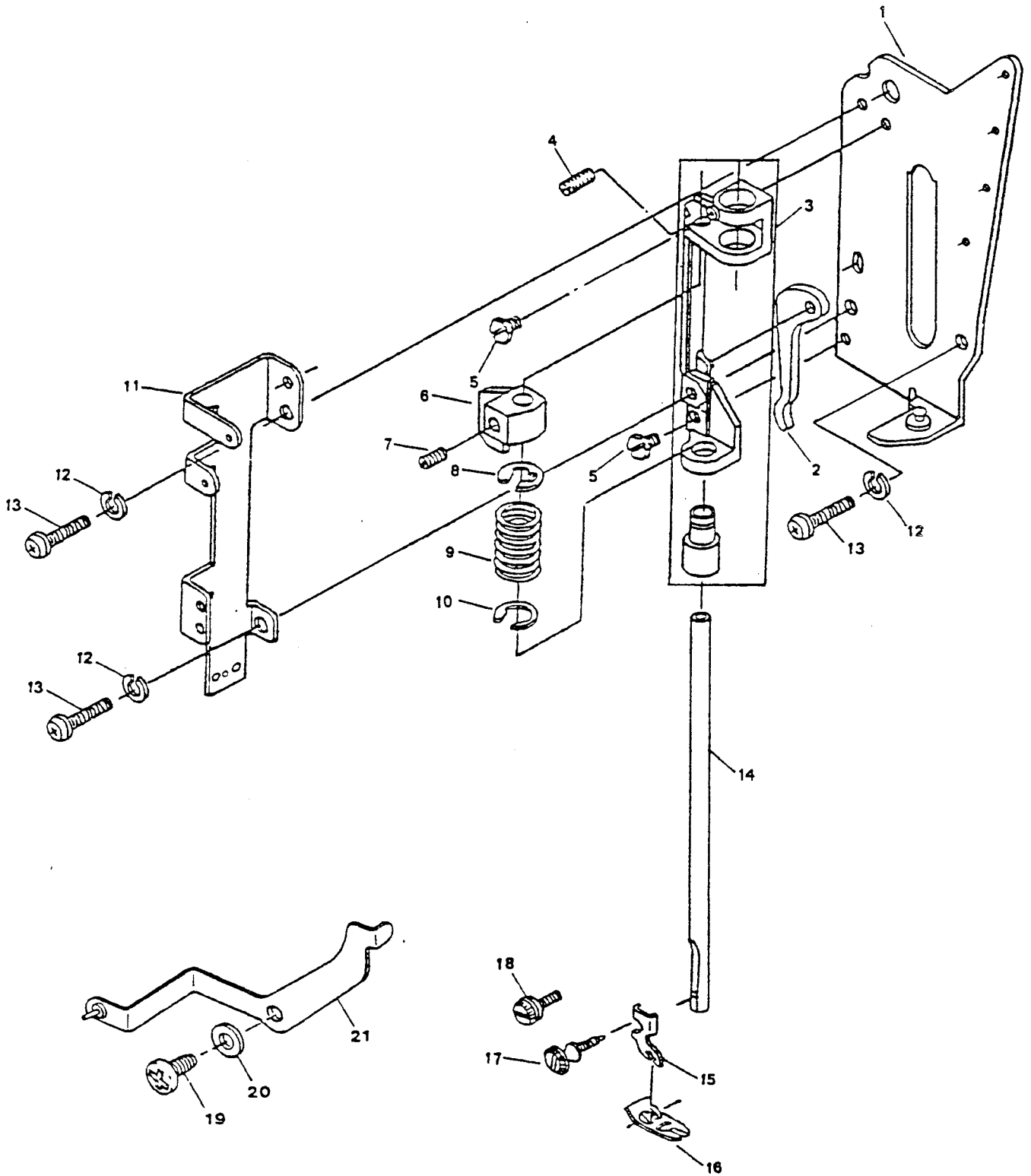
HAND WHEEL  
MODEL:9417

REF. PART NO.	PART NO.	DESCRIPTION
1	314044	HAND WHEEL DRIVE SCREW SUPPORT CLIP
2	312991-461	HAND WHEEL ASSEMBLY
3	113454-451	HAND WHEEL DRIVE SCREW
5	312628-001	BELT (MOTOR DRIVE) ALT: 979285-001
9	314743-908	HAND WHEEL COVER PLATE (CENTAUR)

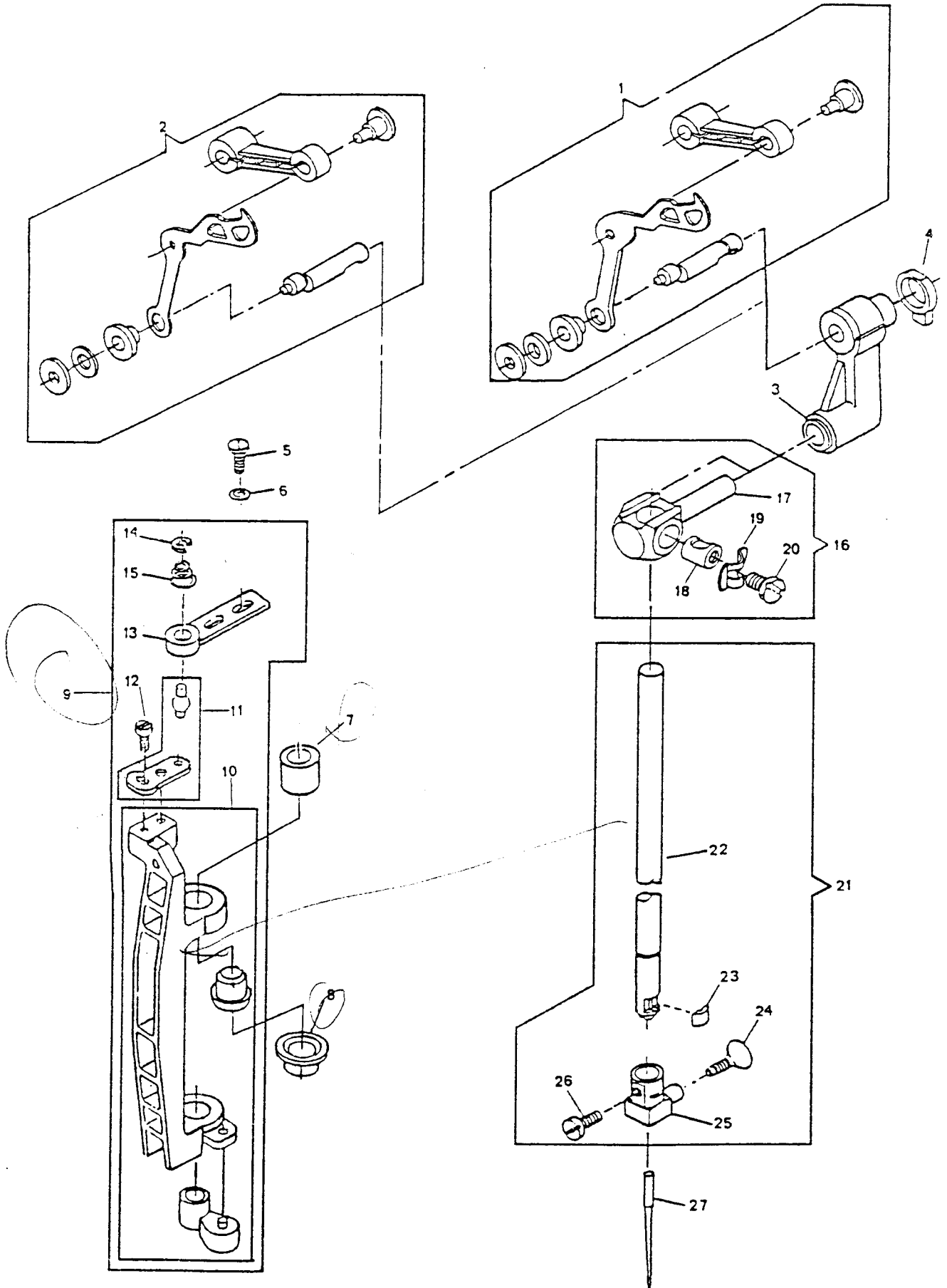
COAXIAL PRESSER BAR SYSTEM FOR NEW HEAD END  
MODEL:9417

REF. PART NO.	NO.	DESCRIPTION
1	314696	HEAD END MOUNTING PLATE ASSEMBLY COMP.
2	314582	PRESSER BAR LIFTER
3	314580	NEEDLE BAR & PRESSER BAR ADJUSTING BRACKET (SUB-ASSEMBLY)
4	544208-001	NEEDLE BAR VIBRATING BRACKET BALL BUSHING (UPPER) ADJUSTER SET SCREW
5	113485-452	NEEDLE BAR PRESSER BAR ADJUSTING BRACKET MOUNTING SCREW
6	314583-901	PRESSER BAR GUIDE BRACKET
7	141936-833	PRESSER BAR GUIDE BRACKET SCREW
8	314584	PRESSER BAR SPRING RETAINING RING (UPPER)
9	353214	PRESSER BAR SPRING
10	314585	PRESSER BAR SPRING RETAINING RING (LOWER)
11	314591	FACE PLATE MOUNTING BRACKET
12	313955-451	HEAD END MOUNTING PLATE LOCK WASHER
13	113455-012	HEAD END MOUNTING PLATE SCREW
14	314581	PRESSER BAR
15	163706-451	PRESSER FOOT SHANK (SNAP-ON)
16	313150	PRESSER FOOT PLATE (SNAP-ON) FOR ZIG-ZAG SEWING
18	314627-451	PRESSER FOOT THUMB SCREW & BOBBIN WINDER THREAD HOLDER
19	113455-001	NEEDLE THREAD TENSION RELEASE LEVER HINGE SCREW
20	314041-451	NEEDLE THREAD TENSION RELEASE LEVER RETAINING WASHER
21	314589	NEEDLE THREAD TENSION RELEASE LEVER ASSEMBLY

# COAXIAL PRESSER BAR SYSTEM



### NEEDLE BAR AND THREAD TAKE-UP



NEEDLE BAR & THREAD TAKE-UP FOR NEW HEAD END  
MODEL:9417

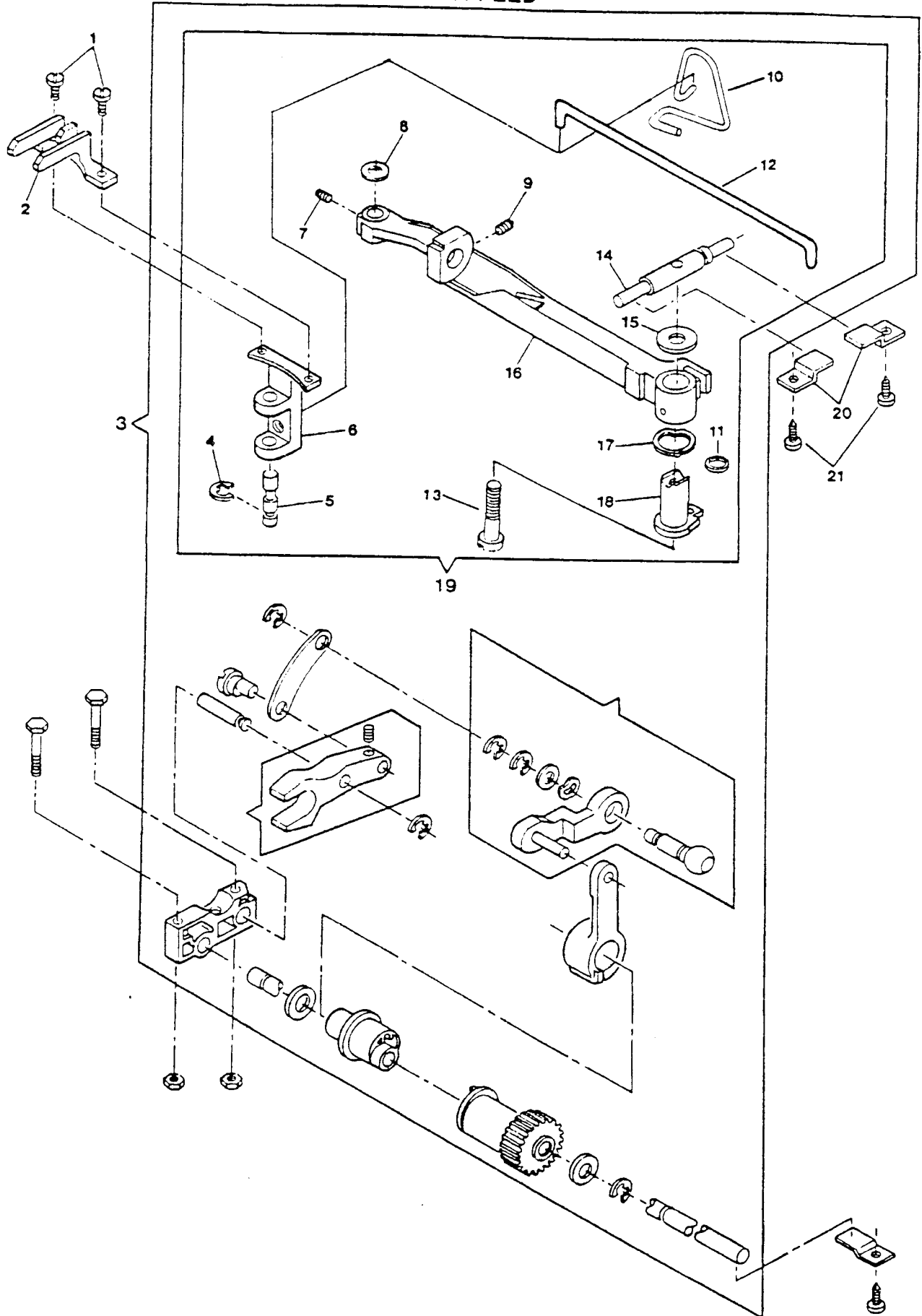
REF. NO.	PART NO.	DESCRIPTION
1	314699	THREAD TAKE-UP COMPLETE (CENTAUR)
3	313533	NEEDLE BAR CONNECTING LINK ASSEMBLY
4	314146	NEEDLE BAR CONNECTING LINK SPACER
5	113408-001	NEEDLE BAR DRIVING ARM BALL JOINT SCREW
6	931929-004	NEEDLE BAR DRIVING ARM BALL JOINT SCREW WASHER
7	314574	NEEDLE BAR VIBRATING BRACKET BUSHING (UPPER)
8	314573	NEEDLE BAR BALL BUSHING SOCKET (LOWER)
9	314569	NEEDLE BAR VIBRATING BRACKET ASSEMBLY
10	314614	NEEDLE BAR VIBRATING BRACKET SUB-ASSEMBLY
11	314570	NEEDLE BAR VIBRATING BRACKET STUD PLATE ASSEMBLY
12	141920-451	NEEDLE BAR VIBRATING BRACKET STUD PLATE ASSEMBLY MOUNTING SCREW
13	312839	NEEDLE BAR DRIVING ARM BALL JOINT
14	312702	NEEDLE BAR DRIVING ARM BALL JOINT RETAINING RING
15	382602	NEEDLE BAR DRIVING ARM BALL JOINT SPRING
16	313191	NEEDLE BAR CONNECTING STUD SUB-ASSEMBLY
17	312751	NEEDLE BAR CONNECTING STUD
18	312769	NEEDLE BAR CONNECTING STUD HINGE PIN
19	384000	NEEDLE BAR CONNECTING STUD HINGE PIN FRICTION WASHER
20	354972-451	NEEDLE BAR CLAMPING & GUIDE SCREW
21	313192	NEEDLE BAR SUB-ASSEMBLY
22	313553	NEEDLE BAR
23	313552	NEEDLE BAR GIB
24	354898-451	NEEDLE THUMB SCREW
25	313798	NEEDLE CLAMP BODY
26	141920-454	NEEDLE CLAMP BODY NEEDLE CLAMP THREAD GUIDE & NEEDLE STOP SCREW
27	N2045	NEEDLE SIZE NO. 14 (IN MACHINE)



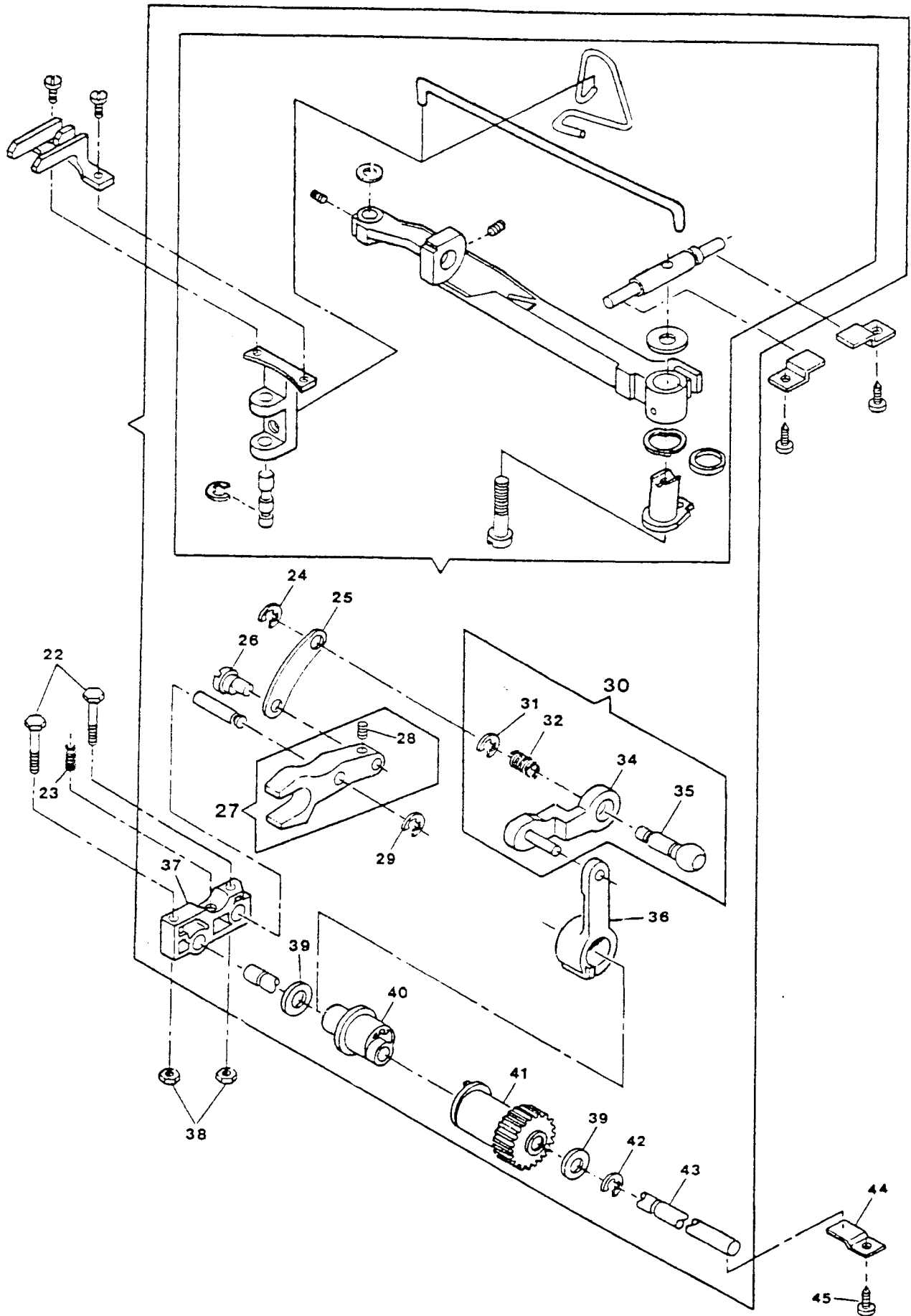
ALPHA FEED  
MODEL: 9417

REF. PART NO.	PART NO.	DESCRIPTION
1	141920-452	FEED DOG SCREW
2	313021	FEED DOG (ZINC) (CENTAUR)
3	314140-001	ALPHA FEED MODULE
4	511213	FEED DOG HOLDER STUD RETAINING RING
5	511052	FEED DOG HOLDER STUD
6	422334-902	FEED DOG HOLDER (MACHINED)
7	544100	FEED DOG HOLDER STUD SCREW
8	511210	FEED DOG HOLDER WASHER
9	354983-451	FEED BAR CONNECT'G & FEED LIFT'G FORK CONNECT'G HINGE STUD (ECCENTRIC) SET SCREW (ALT: 354420-451)
10	422561	FEED DOG HOLDER COMPENSATING LINK RETAINING SPRING (FRONT)
11	422337	FEED DOG HOLDER COMPENSATING LINK RETAINING SPRING (BACK)
12	422335-001	FEED DOG HOLDER COMPENSATING LINK
13	514744-451	FEED BAR PIVOT HINGE STUD LOCK SCREW
14	314142	FEED BAR PIVOT HINGE STUD PIN
15	422338	FEED BAR HINGE PIN WASHER
16	422333-902	FEED BAR
17	511211	FEED BAR GUIDE HINGE PIN SPRING WASHER
18	422340-001	FEED BAR PIVOT HINGE STUD
19	314141	FEED BAR ASSEMBLY
20	312851	FEED BAR PIVOT HINGE STUD CLAMP
21	113455-003	FEED BAR PIVOT HINGE STUD CLAMP SCREW

# ALPHA FEED



### ALPHA FEED (CONT.)



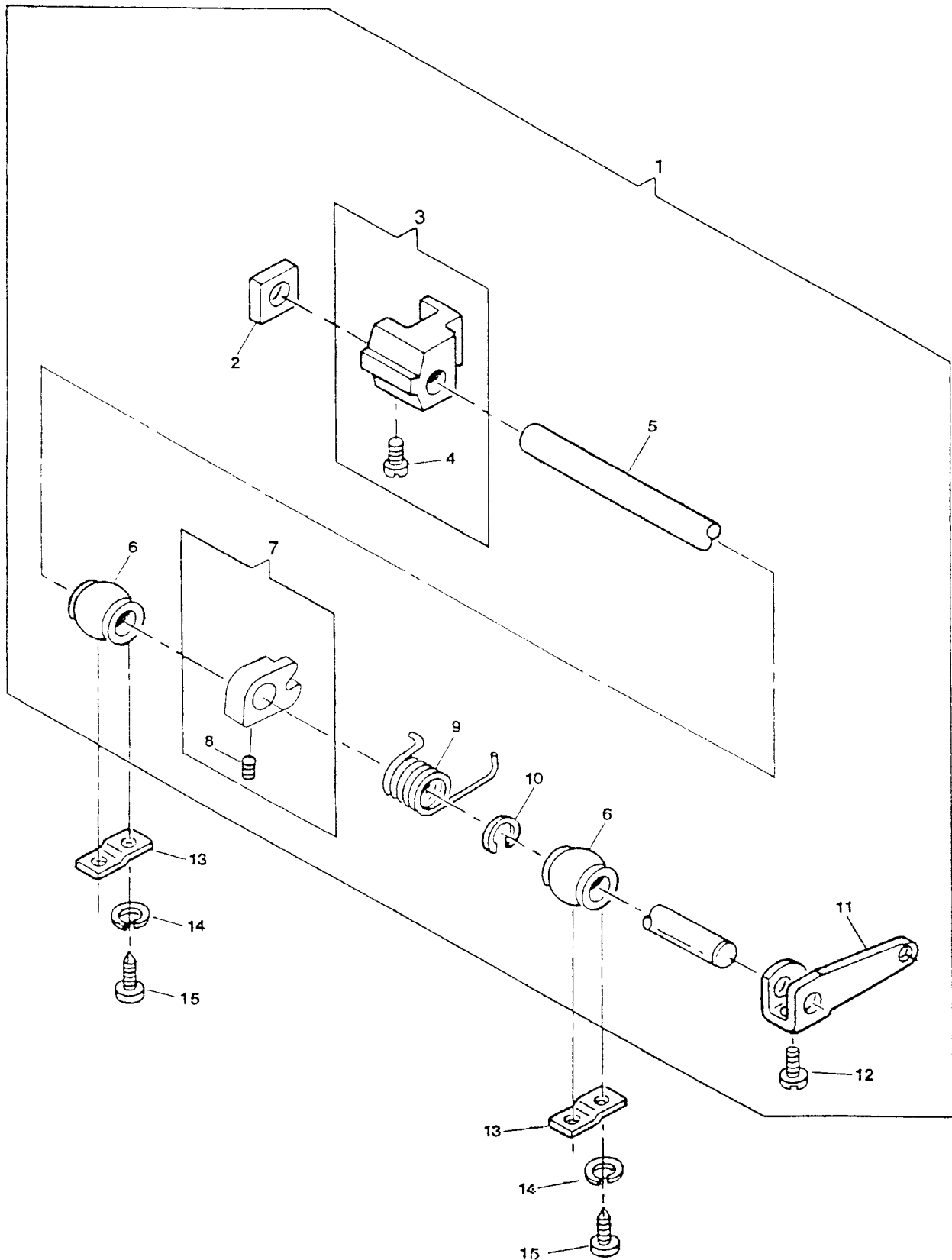
ALPHA FEED (CONT.)  
MODEL:9417

REF. PART NO.	NO.	DESCRIPTION
22	354921-451	FEED & ROTATING HOOK DRIVE SHAFT BEARING BLOCK MOUNTING SCREW
23	314070	ROTATING HOOK DRIVE SHAFT BUSHING SPRING
24	312686	FEED LIFTING FORK CONNECTING RETAINING RING
25	511016	FEED LIFTING FORK CONNECTION
26	511056	FEED LIFTING FORK CONNECTING HINGE STUD (ECCENTRIC)
27	503325-002	FEED LIFTING FORK COMPL.
28	514685-451	FEED LIFTING FORK CONNECTING HINGE STUD (ECCENTRIC) SET SCREW
29	312685	FEED & ROTATING HOOK DRIVE SHAFT BEARING BLOCK STUD RETAINING RING
30	313910	FEED BAR CONNECTION ASSEMBLY COMPLETE
31	312685	FEED BAR CONNECTION AND FEED LIFTING FORK CONNECTION HINGE STUD (ECCENTRIC) RETAINING RING
32	314030	FEED BAR CONNECTION SPRING
34	313130	FEED BAR CONNECTION ASSEMBLY
35	313456	FEED BAR CONNECTION AND FEED LIFTING FORK CONNECTION HINGE STUD (ECCENTRIC) ALT: 312852
36	312872-900	FEED REGULATOR SLIDE BLOCK DRIVE CONNECTION
37	312864	FEED & ROTATING HOOK DRIVE SHAFT BEARING BLOCK ASSEMBLY
38	514674-451	FEED & ROTATING HOOK DRIVE SHAFT BEARING BLOCK MOUNTING SCREW NUT
39	312879-451	FEED DRIVE SHAFT GEAR WASHER
40	312870	FEED LIFTING CAM & FEED ECCENTRIC (CENTAUR)
41	312902	FEED DRIVE SHAFT GEAR (PLASTIC)
42	312686	FEED DRIVE SHAFT GEAR RETAINING RING
43	312862-900	FEED DRIVE SHAFT
44	312851	FEED DRIVE SHAFT CLAMP
45	113455-003	FEED DRIVE SHAFT CLAMP SCREW

ALPHA FEED (CONT.)  
MODEL:9417

REF. PART NO. NO.	DESCRIPTION
1 313133	FEED REGULATOR SHAFT ASSEMBLY
2 511030	FEED REGULATOR SLIDE BLOCK
3 312874	FEED REGULATOR COMPL.
4 113515-451	FEED REGULATOR SCREW
5 314173	FEED REGULATOR SHAFT
6 312700-002	FEED REGULATOR SHAFT BUSHING (SELF-ALIGNING)
7 314175	FEED REGULATOR SHAFT TENSION SPRING ADJUSTING COLLAR ASSEMBLY
8 544207-001	FEED REGULATOR SHAFT TENSION SPRING ADJUSTING COLLAR SCREW
9 314172	FEED REGULATOR SHAFT TENSION SPRING
10 312875	FEED REGULATOR SHAFT RETAINING RING
11 312801	STITCH LENGTH CONTROL CRANK
12 354922-451	STITCH LENGTH CONTROL CRANK SCREW
13 313816	FEED REGULATOR SHAFT BUSHING (SELF-ALIGNING) CLAMP
14 314013-451	FEED REGULATOR SHAFT BUSHING (SELF-ALIGNING) CLAMP SCREW LOCK WASHER
15 113455-001	FEED REGULATOR SHAFT BUSHING (SELF-ALIGNING) CLAMP SCREW

### ALPHA FEED (CONT.)



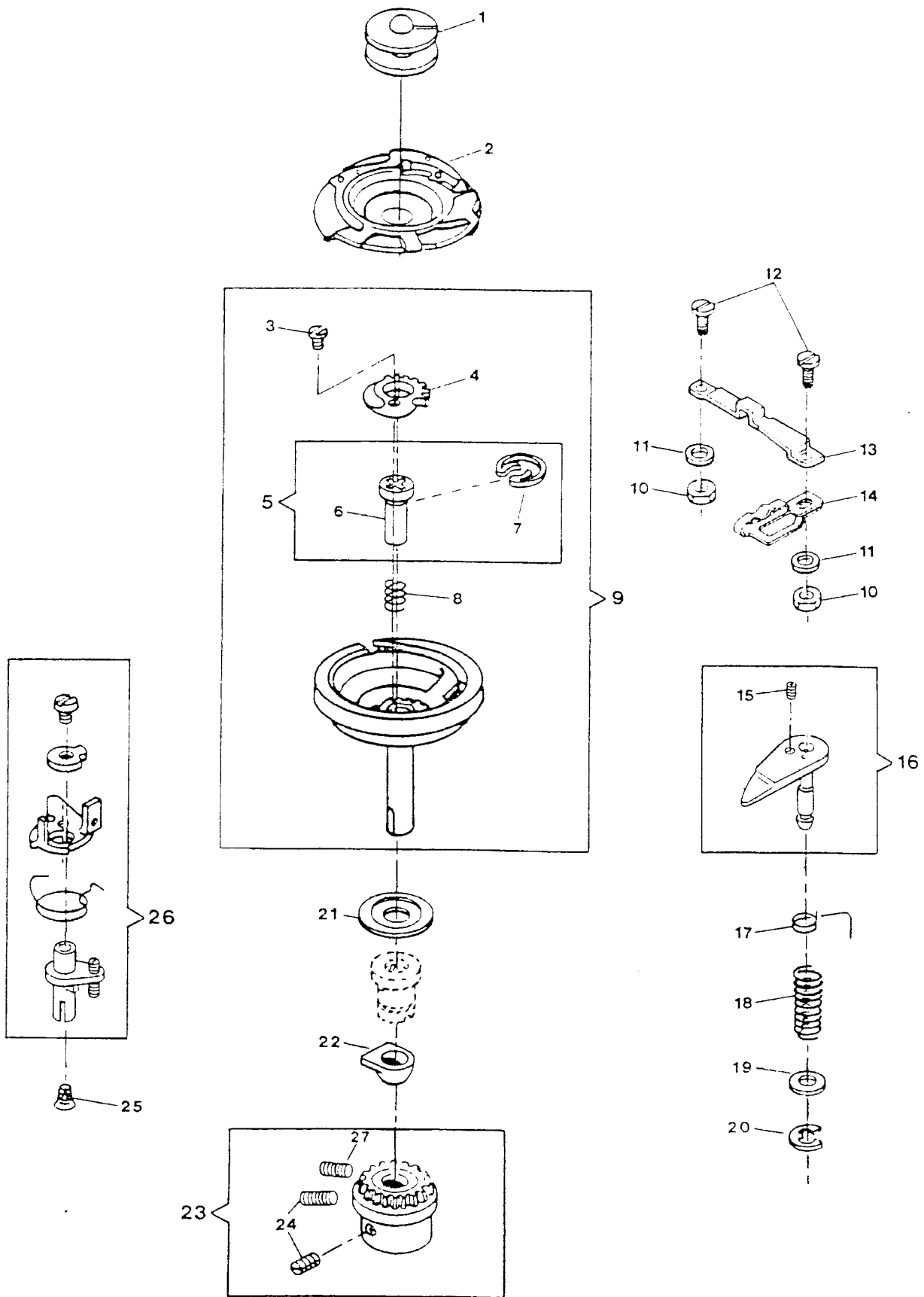
BLANK PAGE

HOOK AND BOBBIN WINDING SYSTEM (CENTAUR)  
MODEL: 9417

REF. PART NO.	DESCRIPTION
1	312956 BOBBIN
2	314662 ROTATING HOOK BOBBIN CASE COMPL. (USED WITH 314025)
3	354973-451 ROTATING HOOK THREAD PULL-OFF INSERT SCREW
4	312966 ROTATING HOOK THREAD PULL-OFF
5	313155 ROTATING HOOK BOBBIN DRIVER CLUTCH SPRING ASSEMBLY
6	312967 ROTATING HOOK BOBBIN DRIVER BUSHING
7	313124 ROTATING HOOK BOBBIN DRIVER SHAFT CLUTCH SPRING
8	312968 ROTATING HOOK BOBBIN DRIVER BUSHING RETURN SPRING
9	313183-002 ROTATING HOOK ASSEMBLY
10	313945-451 ROTATING HOOK BOBBIN CASE POSITION PLATE SCREW NUT
11	313190-451 ROTATING HOOK BOBBIN CASE POSITION PLATE SCREW WASHER
12	113439-451 ROTATING HOOK BOBBIN CASE POSITION PLATE SCREW
13	312738 ROTATING HOOK BOBBIN CASE POSITION PLATE
14	313068 BED SLIDE POSITIONER
15	354891-451 ROTATING HOOK BOBBIN CASE RETAINING PLATE ADJUSTING SCREW
16	313088 ROTATING HOOK BOBBIN CASE RETAINING PLATE COMPLETE
17	313930 ROTATING HOOK BOBBIN CASE RETAINING PLATE RETURN SPRING
18	314072 ROTATING HOOK BOBBIN CASE RETAINING PLATE SPRING
19	313190-451 ROTATING HOOK BOBBIN CASE POSITION PLATE SCREW WASHER
20	312702 ROTATING HOOK BOBBIN CASE RETAINING PLATE SPRING RETAINING RING
21	314049 ROTATING HOOK FLANGED BUSHING THRUST WASHER
22	312847 ROTATING HOOK FLANGED BUSHING WASHER
23	314012 ROTATING HOOK BEVEL GEAR COMPLETE
24	544207-012 ROTATING HOOK BEVEL GEAR (PLASTIC) SET SCREW
25	354929-451 BED SLIDE ACTUATING LEVER STUD SCREW
26	313956 BED SLIDE ACTUATING LEVER ASSEMBLY
27	544207-011 ROTATING HOOK BEVEL GEAR SET SCREW



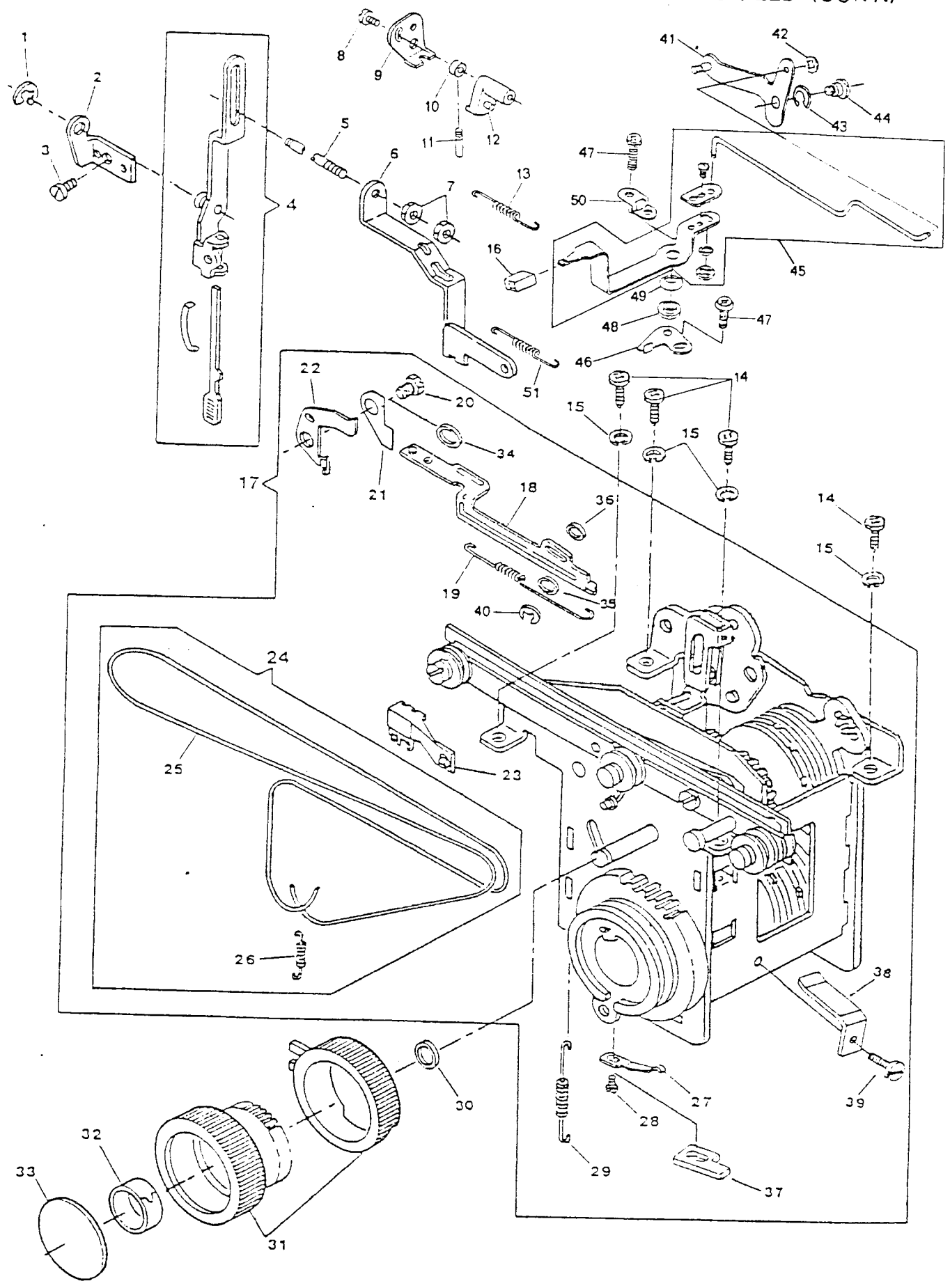
# HOOK AND BOBBIN WINDING SYSTEM (CENTAUR)



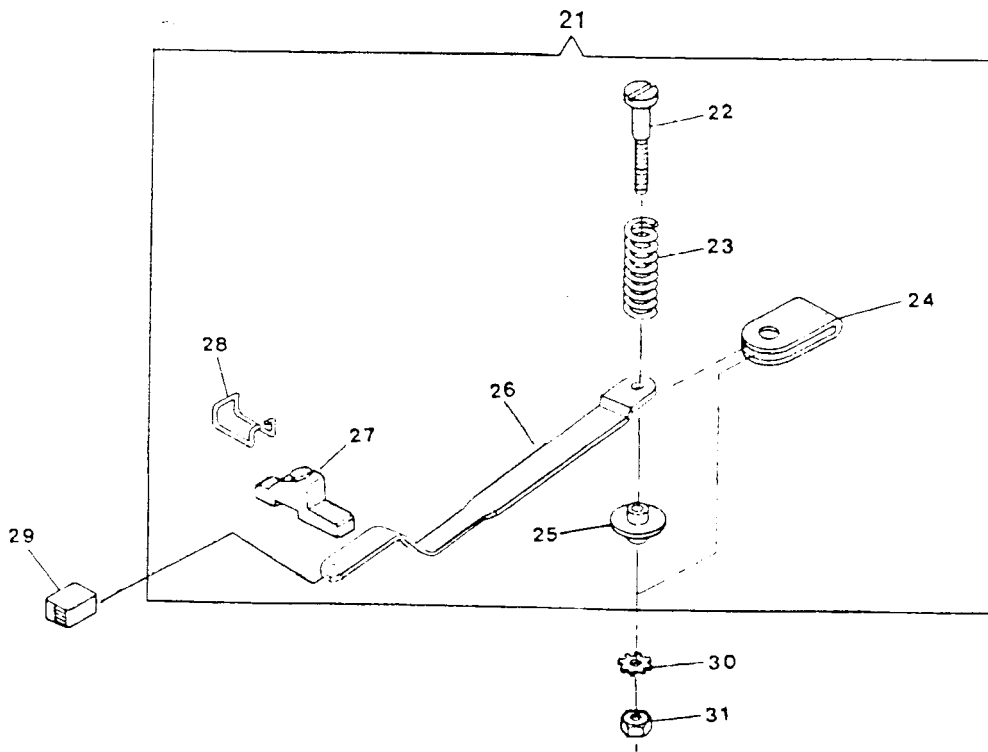
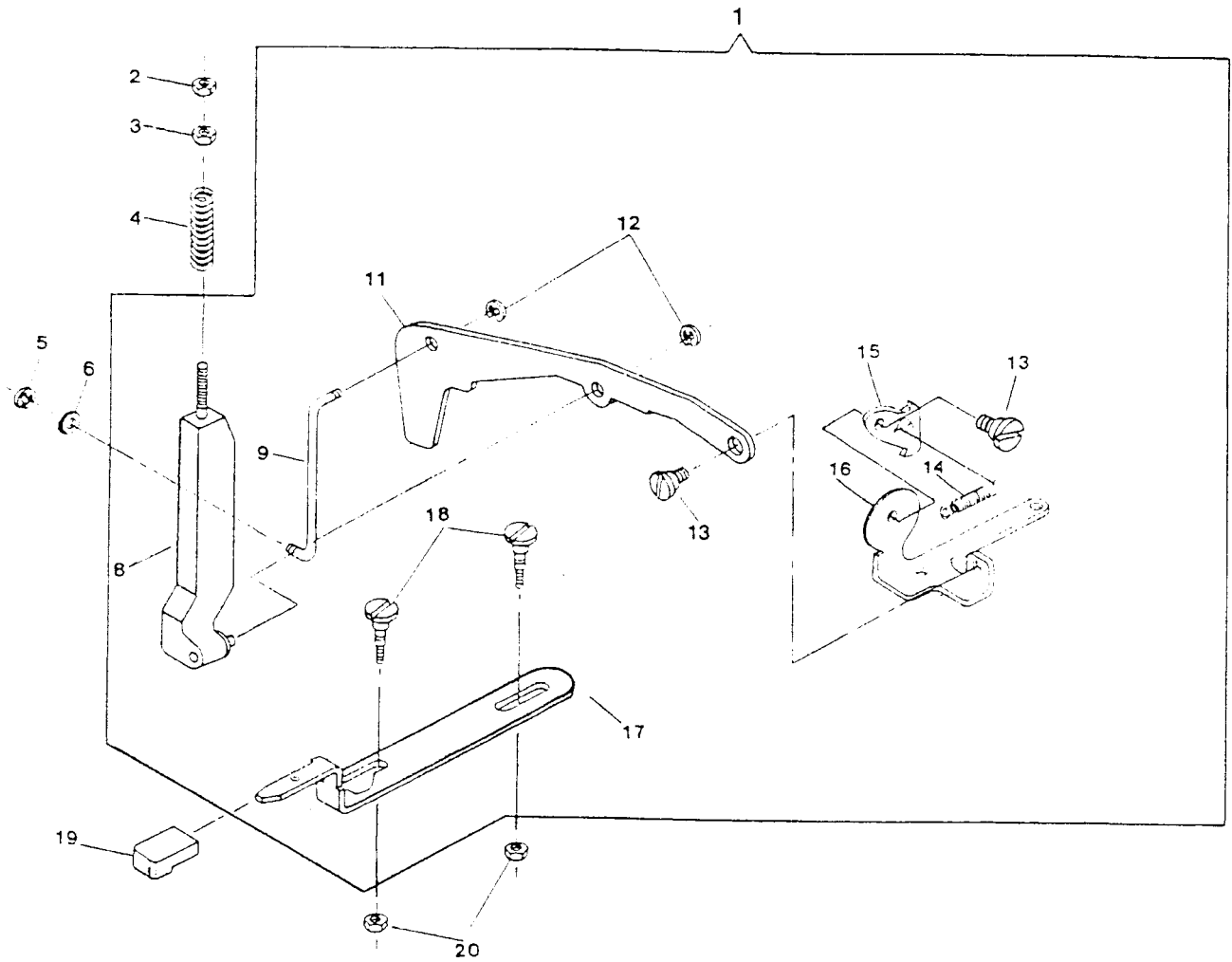
PATTERN, STITCH LENGTH CONTROL & CAM CONTROLLED FEED (CONT.)  
MODEL: 9417

REF. PART NO.	NO.	DESCRIPTION
1	312685	BUTTONHOLER KICK-OUT SHAFT TRIPPING LEVER RETAINING RING
2	313392	BUTTONHOLER LEVER PIVOT
3	354877-451	BUTTONHOLE PIVOT LEVER SCREW
4	312994-002	BUTTONHOLE KICK-OUT TRIPPING ROD LEVER ASSEMBLY
5	312982	BUTTONHOLE TRIPPING LEVER ROD
6	313005	BUTTONHOLE DISC CONTROL CATCH RELEASE LINK
7	314763-451	BUTTONHOLE TRIPPING ROD ADJUSTING & LOCKING NUT
8	354935-451	BUTTONHOLE ACTUATOR CAM ADJUSTING BRACKET SCREW
9	313073	BUTTONHOLE ACTUATOR CAM ADJUSTING BRACKET
10	313022	BUTTONHOLE FOLLOWER HUB RELEASE
11	313023	BUTTONHOLE FOLLOWER HUB RELEASE PIN
12	313025	BUTTONHOLE ACTUATOR CAM
13	314497	NEEDEL BAR DRIVING ARM SLIDE POSITIONING SPRING
14	113455-001	DISC SELECTOR MECHANISM MOUNTING PLATE SCREW (LEFT & RIGHT)
15	314013-451	DISC SELECTOR MECHANISM MOUNTING PLATE SCREW (LEFT & RIGHT) LOCK WASHER
16	314676-459	BIGHT AMPLITUDE CONTROL LEVER KNOB (PLASTIC)
17	314613	PATTERN SELECTOR MODULE
18	314492	NEEDLE BAR DRIVING ARM ASS'Y
19	313053	NEEDLE BAR DRIVING ARM RETURN SPRING
20	354984-451	FEED FOLLOWER BUTTONHOLE ADJUSTING ACTUATOR SCREW
21	314527	FEED FOLLOWER ACTUATOR SPACER
22	314526	FEED FOLLOWER BUTTONHOLE ADJUSTING ACTUATOR
23	312914	PATTERN SELECTOR INDICATOR
24	312916	PATTERN SELECTOR CORD ASSEMBLY
25	313888	PATTERN SELECTOR CORD
26	312917	PATTERN SELECTOR CORD TENSION SPRING
27	313113	PATTERN SELECTOR INDICATOR DETENT SPRING
28	354899-451	PATTERN SELECTOR INDICATOR DETENT SPRING SCREW
29	313033	BUTTONHOLE DISC CONTROL CATCH SPRING
30	314153	PATTERN SELECTOR KNOB SPACER
31	314239-460	PATTERN SELECTOR KNOB AND STITCH BALANCE KNOB
32	313535	PATTERN SELECTOR KNOB COMPRESSION RING
33	314744-471	PATTERN SELECTOR KNOB TRIM PLATE
34	502495-451	FEED FOLLOWER BUTTONHOLE ADJUSTING ACTUATOR SCREW WASHER
35	314493	STITCH WIDTH CONTROL BRACKET WASHER (FRONT)
36	314494	STITCH WIDTH CONTROL BRACKET WASHER (BACK)
37	314557	PATTERN SELECTOR INDICATOR REINFORCING DETENT SPRING
38	314553	PATTERN SELECTOR DRUM STABILIZING SPRING
39	113487-451	PATTERN SELECTOR DRUM STABILIZING SPRING SCREW
40	314502	BIGHT AMPLITUDE CONTROL BRACKET RETAINING RING
41	314603	BIGHT AMPLITUDE CONTROL BRACKET ASSEMBLY
42	314606	BIGHT AMPLITUDE CONTROL ROD RETAINING (LEFT)
43	312879-451	BIGHT AMPLITUDE CONTROL LEVER FRICTION WASHER
44	354875-451	BIGHT AMPLITUDE CONTROL BRACKET PIVOT SCREW
45	314607	BIGHT AMPLITUDE CONTROL LEVER ASSEMBLY
46	314610	BIGHT AMPLITUDE CONTROL LEVER STOP
47	113455-014	BIGHT AMPLITUDE CONTROL LEVER STOP ADJUSTMENT SCREW
48	314611	BIGHT AMPLITUDE CONTROL LEVER SHOULDER WASHER
49	353457	BIGHT AMPLITUDE CONTROL LEVER FRICTION WASHER
50	314683	BIGHT AMPLITUDE CONTROL LEVER RETAINER
51	313799	BUTTONHOLE ACTUATOR ADJUSTING ROD SPRING

PATTERN STITCH LENGTH CONTROL AND CAM CONTROLLED FEED (CONT.)



# PATTERN STITCH LENGTH CONTROL AND CAM CONTROLLED FEED (CONT.)



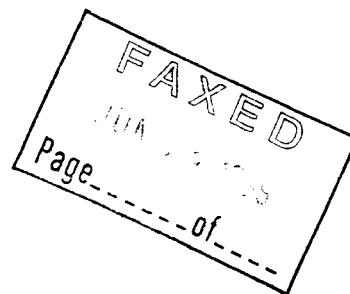
From the library of: Diamond Needle Corp

PATTERN, STITCH LENGTH CONTROL & CAM CONTROLLED FEED (CONT.)  
MODEL:9417

REF. PART NO.	PART NO.	DESCRIPTION
1	314300-002	FEED REVERSE MECHANISM
2	514674-451	CAM CONTROLLED FEED CONNECTING ROD LOCKING NUT
3	312645-451	CAM CONTROLLED FEED DISC FOLLOWER ACTUATOR CONNECTING ROD ADJUSTING NUT
4	313143	CAM CONTROLLED FEED DISC FOLLOWER ACTUATOR CONNECTING ROD SPRING
5	312702	FEED LEVER CONNECTING LINK RETAINING RING
6	313891	CAM CONTROLLED FEED CONNECTING ROD STABILIZING WASHER
8	314549	CAM CONTROLLED FEED DISC FOLLOWER ACTUATOR CONNECTING ROD
9	313057	FEED LEVER CONNECTING LINK
11	314283	STITCH LENGTH CONTROL ARM
12	312702	CAM CONTROLLED FEED DISC FOLLOWER ACTUATOR CONNECTING ROD RETAINING RING
13	354958-451	REVERSE FEED LEVER PIVOT SCREW
14	314282	REVERSE FEED CRANK SPRING
15	314281	REVERSE FEED CRANK
16	314279-900	REVERSE FEED LEVER MOUNTING BRACKET
17	314280	REVERSE FEED CONTROL LEVER
18	113499-451	REVERSE FEED CONTROL LEVER & LATCH SCREW
19	312657-459	REVERSE FEED CONTROL LEVER KNOB (PLASTIC) (USA & CANADA)
20	514674-451	REVERSE FEED CONTROL LEVER GUIDE SCREW NUT
21	313569	STITCH LENGTH CONTROL LEVER ASSEMBLY
22	113356-451	STITCH LENGTH CONTROL LEVER PIVOT SCREW
23	313567	STITCH LENGTH CONTROL LEVER SPRING
24	313566	STITCH LENGTH CONTROL FRICTION WASHER
25	313565-451	STITCH LENGTH CONTROL LEVER NUT
26	312663	STITCH LENGTH CONTROL LEVER
27	313960	STITCH LENGTH CONTROL LEVER CAM ASSEMBLY
28	313188	STITCH LENGTH CONTROL LEVER CAM RETAINING CLIP
29	312664-459	STITCH LENGTH CONTROL LEVER KNOB (PLASTIC) (USA & CANADA)
30	313172-451	STITCH LENGTH CONTROL LEVER PIVOT LOCK WASHER
31	313177-451	STITCH LENGTH CONTROL LEVER NUT

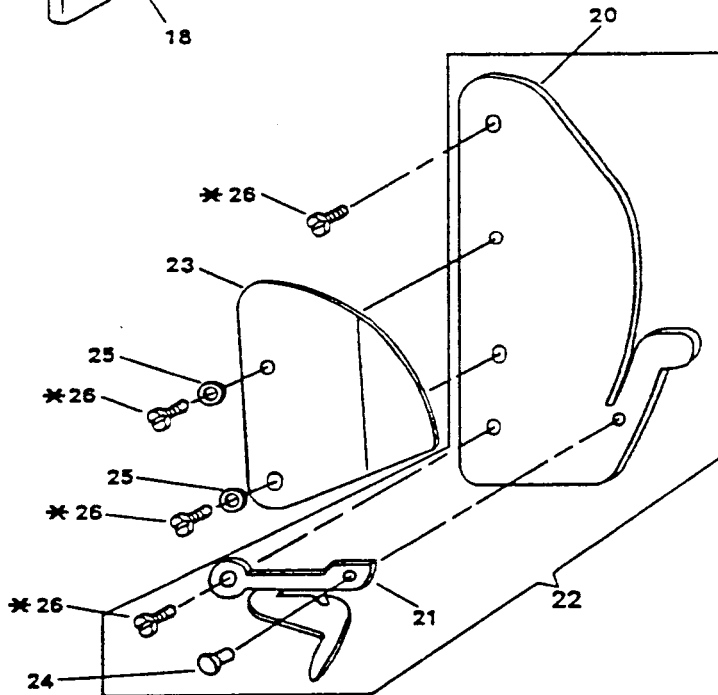
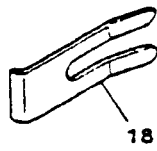
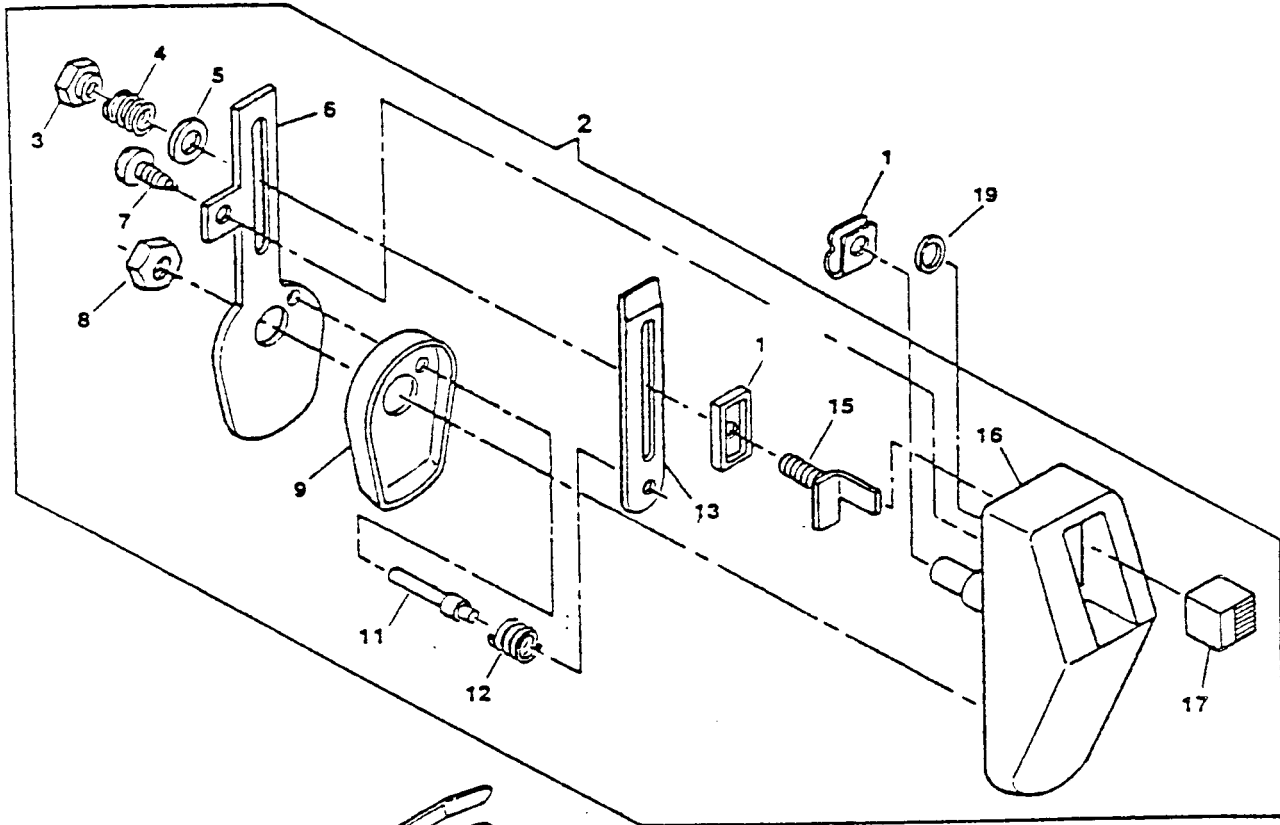
DEMAND RESPONSIVE NEEDLE TENSION SYSTEM  
MODEL:9417

REF. PART NO.	NO.	DESCRIPTION
1	313199	TENSION COVER MOUNTING RETAINER
2	313077-007	THREAD TENSION MODULE (USA & CANADA)
3	314299-451	TENSION REGULATOR LEVER STUD NUT
4	312708	TENSION SPRING
5	312710	TENSION SPRING WASHER
6	314002	TENSION MOUNTING PLATE SUB-ASSEMBLY TAKE-OFF
7	113442-003	TENSION COVER MOUNTING SCREW
8	53641	TENSION COVER RETAINING STUD NUT
9	312703	TENSION DISC
9	313403	TENSION DISC (ALTERNATE TO 312703)
11	312705	TENSION RELEASE PIN
12	314005	PRE-TENSION SPRING
13	312707	TENSION LEVER
13	313904	TENSION LEVER (ALTERNATE)
14	313048	TENSION REGULATING LEVER SLIDE BLOCK
15	312946	TENSION REGULATING LEVER ASSEMBLY
16	313015-001	TENSION COVER ASSEMBLY
16	313015-002	TENSION COVER ASSEMBLY (EUROPE)
17	312664-454	TENSION REGULATING KNOB
18	313047	TENSION COVER RETAINING CLIP
19	314309	TENSION COVER SPACER (UPPER)
20	314697-900	THREAD WEAR PLATE (CENTAUR)
21	314687-900	THREAD GUIDE
22	314698	THREAD TAKE-UP WEAR PLATE ASS'Y ((
23	314690	THREAD PINCH PLATE
24	314686-900	THREAD GUIDE RIVET
25	317166	PINCH PLATE MOUNTING SCREW WASHER
26	113524-451	MOUNTING SCREW

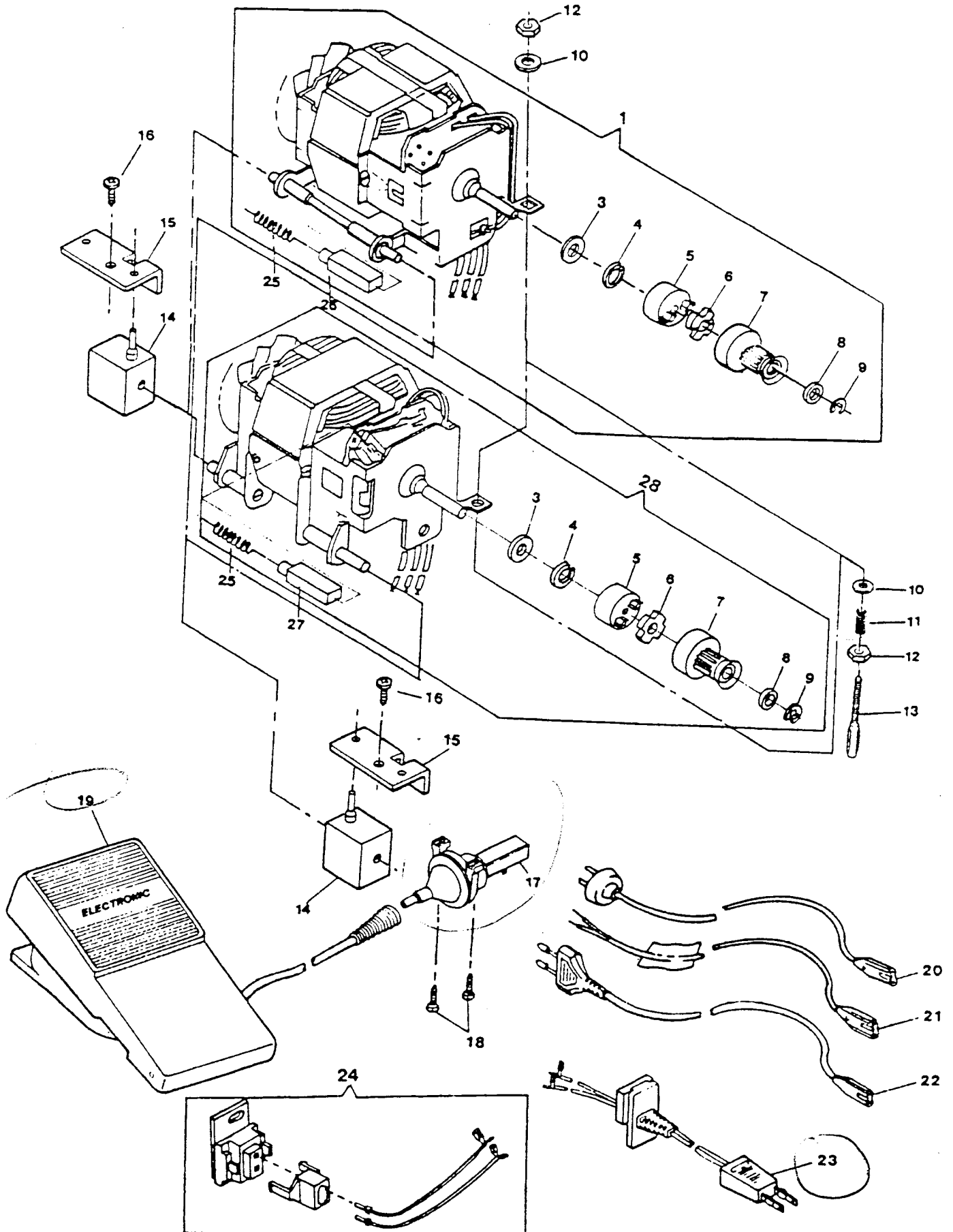


608-8337  
7205

# DEMAND RESPONSIVE NEEDLE TENSION SYSTEM



# ELECTRICAL EQUIPMENT





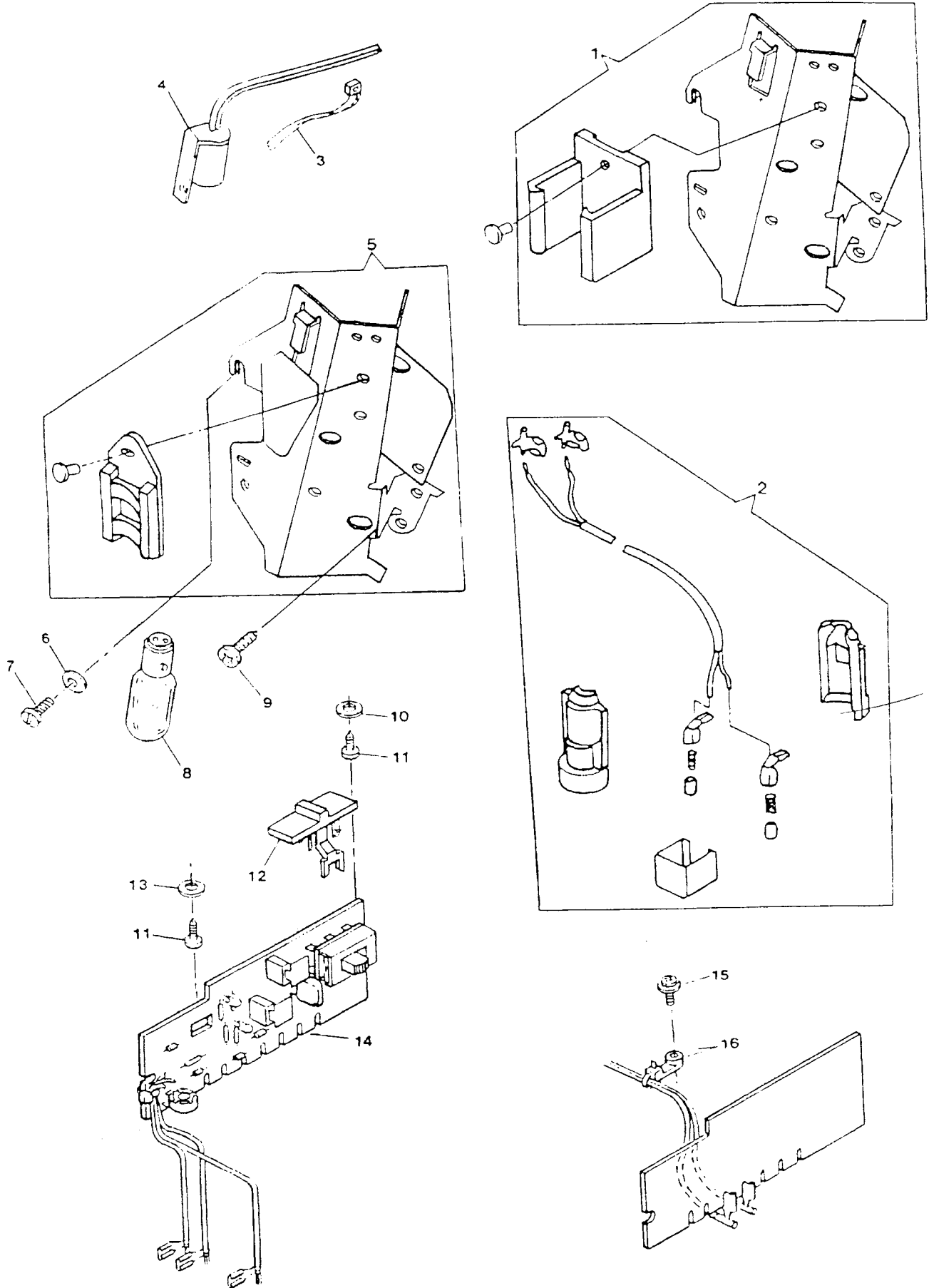
ELECTRICAL EQUIPMENT  
MODEL: 9417

REF. NO.	PART NO.	DESCRIPTION
1	988529-009	MOTOR COMP. (CAT. NO. TA4-8) 120 VOLT (NATIONAL MOTOR)
1	988529-010	MOTOR COMP. (CAT. NO. TA4-11) 220/240 VOLT (NATIONAL MOTOR)
3	931744-001	SPACER WASHER (AS REQUIRED)
3	931744-002	SPACER WASHER (AS REQUIRED)
3	931744-003	SPACER WASHER (AS REQUIRED)
3	931744-103	SPACER WASHER (AS REQUIRED)
4	603908-001	RETAINING RING
5	988738-002	MOTOR PULLEY ISOLATOR HUB
6	988795-001	MOTOR PULLEY TORQUE CUSHION
7	979124-001	PULLEY WITH BELT RETAINER
8	988717-001	WASHER
9	619279-902	MOTOR PULLEY ISOLATOR HUB RETAINING RING
10	37969	MOTOR ADJUSTING STUD NUT WASHER
11	314058	MOTOR BELT TENSION SPRING
12	53646	MOTOR ADJUSTING STUD NUT
13	988653-001	MOTOR ADJUSTING STUD
14	979329-001	RESILIENT MOUNT
15	988651-001	CLIP
16	113470-004	MOTOR MOUNTING SCREW
17	988549-005	PNEUMATIC TRANSDUCER
18	113444-003	PNEUMATIC TRANSDUCER MOUNTING SCREW
19	988667-001	PNEUMATIC CONTROLLER ASSEMBLY
20	988638-004	APPLIANCE COUPLER FOR AUSTRALIA (BICENTENNIAL)
21	988638-003	APPLIANCE COUPLER (240 VOLT) FOR U.K.
22	988638-001	APPLIANCE COUPLER (220 VOLT) FOR EUROPE
23	988557-001	CORD W/STRAIN RELIEF AND PLUG (120 VOLT) FOR U.S./CANADA
24	988657-003	CORD WITH RECEPTACLE (EUROPE/U.K./AUSTRALIA/JAPAN)
25	619436-001	BRUSH SPRING (2)
26	619435-013	MOTOR BRUSH (2) (FOR NATIONAL MOTOR)
27	619435-015	MOTOR BRUSH (2) (FOR ITU MOTOR)
28	988529-009	MOTOR COMP. (CAT. NO. TA4-8) 120 VOLT (ITU MOTOR)
28	988529-010	MOTOR COMP. (CAT. NO. TA4-11) 220/240 VOLT (ITU MOTOR)

ELECTRICAL EQUIPMENT (CONT.)  
MODEL: 9417

REF. NO.	PART NO.	DESCRIPTION
1	314596-001	LINT AND HEAT SHIELD ASSEMBLY (220/240V)
2	979203-002	LIGHT ASSEMBLY (EUROPE) (220V)
2	979203-003	LIGHT ASSEMBLY (AUSTRALIA) (240V) (BICENTENNIAL)
3	540899	TY-WRAP SELF-LOCKING (ALT: 605600-001)
4	979203-001	LAMP SOCKET (120V) (US/CANADA)
5	314596-002	LINT AND HEAT SHIELD ASSEMBLY (100V)
5	314596-003	LINT AND HEAT SHIELD ASSEMBLY (120V)
6	446138	HEAT SHIELD MOUNTING SCREW WASHER
7	544211-002	HEAT SHIELD MOUNTING SCREW
8	194120-021	LIGHT BULB (240 VOLT) (ALT: 542656-004) (BICENTENNIAL)
8	194120-020	LIGHT BULB (220 VOLT) (ALT: 542656-003)
8	194120-019	LIGHT BULB (120 VOLT) (ALT: 542656-005)
9	113445-003	THREAD TAKE-UP COVER AND LINT/HEAT SHIELD SCREW
10	988547-002	WASHER
11	113444-001	SCREW (P. C. BOARD MOUNTING)
12	988548-007	SWITCH OPERATOR (120 VOLT)
13	988547-001	WASHER
14	979123-004	SPEED CONTROL P. C. BOARD ASSEMBLY 120 VOLT (FULL WAVE)
14	979120-005	SPEED CONTROL P. C. BOARD ASSEMBLY 220/240 VOLTS (FULL WAVE)
14	979192-005	SPEED CONTROL P. C. BOARD ASSEMBLY 220/240 VOLTS (FULL WAVE)
14	979161-003	SPEED CONTROL P. C. BOARD ASSEMBLY 100 VOLT (FULL WAVE)
15	113455-001	SCREW (LIGHT HARNESS)
16	604690-001	SELF-LOCKING NYLON CABLE TIE (LIGHT HARNESS)

### ELECTRICAL EQUIPMENT (CONT.)



From the library of: Diamond Needle Corp